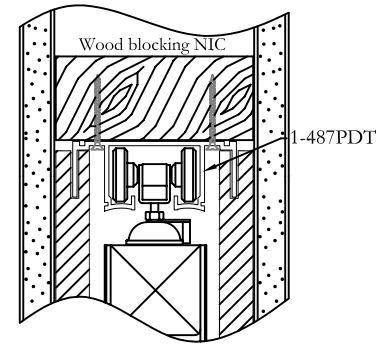
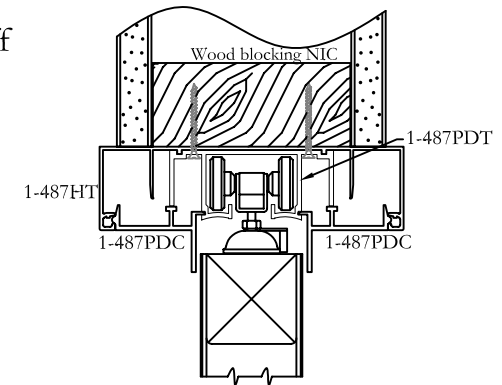


Pocket Door Frame Installation Instructions

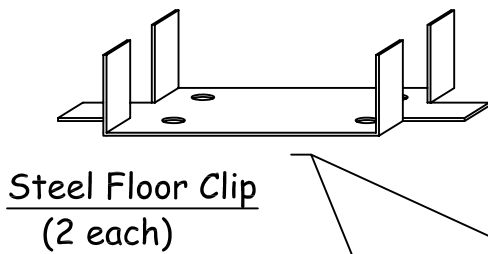
1. Install 1-487PSJ (Pocket Solid Jamb).
2. Install section of 1-487HT (head track) to finished opening size. (NOTE: The 1-487HT runs the width of the finished opening ONLY.) Attach at head and install the 1-487PDT (pocket door track) twice the door width. Place the two rollers into the track and attach the track at 12" on center.
3. Install the steel wrapped wood studs at the door opening $+1/8"$ and at the center of the pocket, engaging the 1-487PDT and the steel floor clips (shown below). Install the wall stop to the wood blocking (by others). Install drywall to wood studs to close up the opening.
4. Install the 2 pcs of 1-487PST to opening.
5. Install plastic corner angles into the pocket and anchor to floor. (see detail)
6. Hang and adjust door. Install the 1-487PDC (pocket door closure) to each side of the 1-487PDT to finish off the opening.



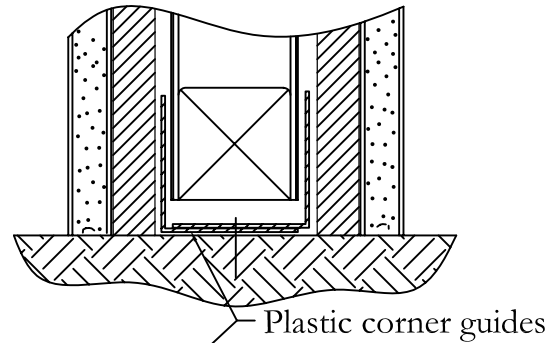
Section Cut "A"



Section Cut "B"



Steel Floor Clip
(2 each)



Plastic corner guides

