

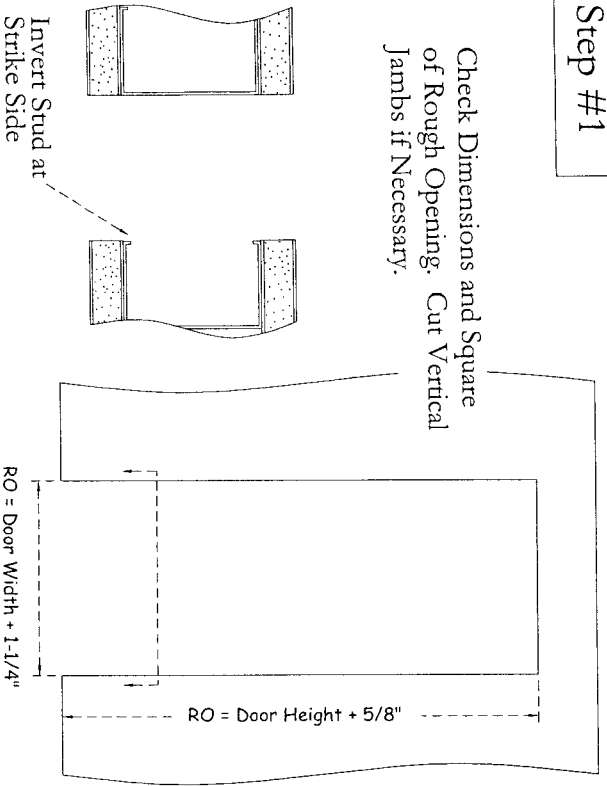
Frameworks Manufacturing, Inc.

Installation Manual for the Type-2 Door
& Window Frame System

Installation Instructions - Type 2 - Aluminum Door Frames

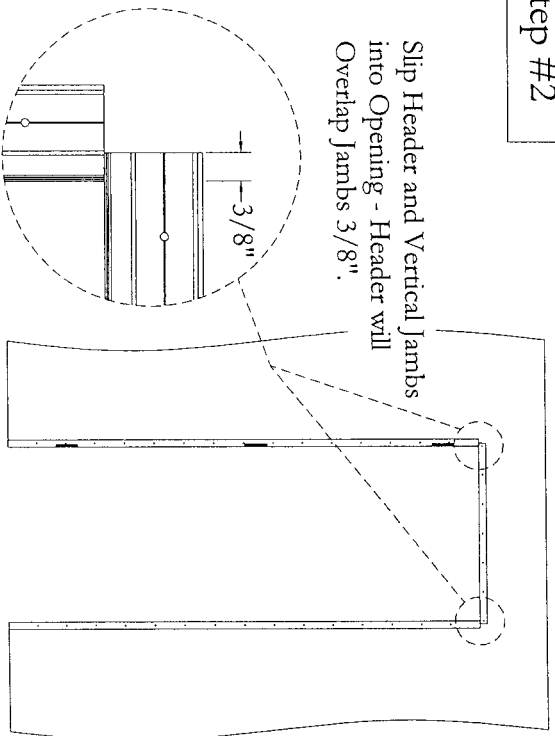
Step #1

Check Dimensions and Square of Rough Opening. Cut Vertical Jamb's If Necessary.



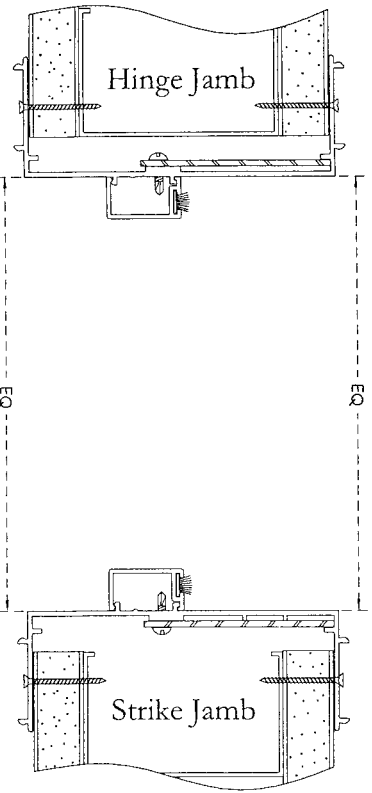
Step #2

Slip Header and Vertical Jamb's into Opening - Header will Overlap Jamb's 3/8".



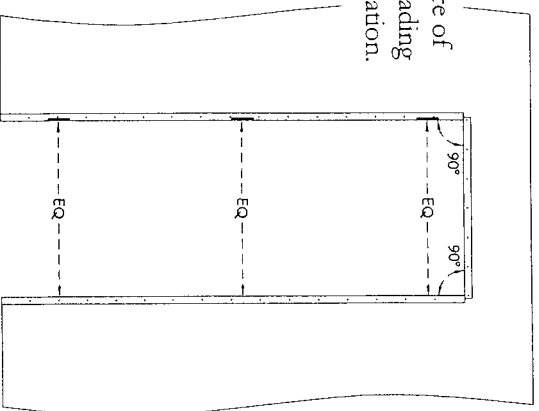
Step #3

Align to Scheduled Opening Width and Height, Achieving Equal Wall Capture on Both Jamb Legs. Make Sure Scheduled Opening Width is Maintained on Both Sides of Door Stop at Leading Edge of Frame.

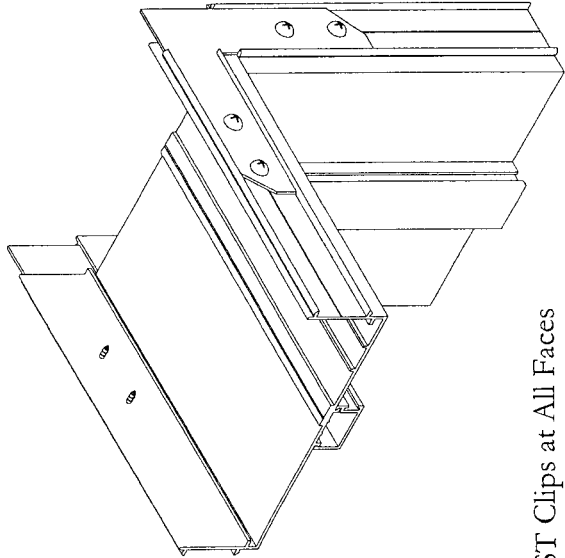


Step #4

Check Level of Header and Square of Jamb Legs. Measure Width at Leading Edge of Jamb at Each Hinge Location.



Step #5

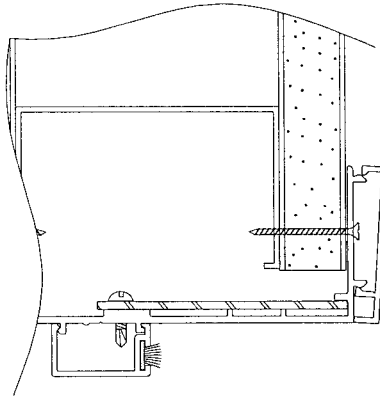


Attach the 4ea C100ST Clips at All Faces of Jamb and Header with 8-1/2" TEK Screws.

Step #6

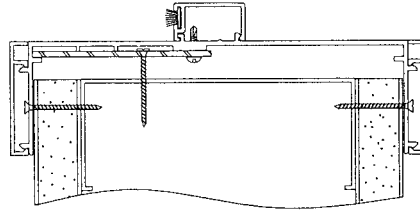
Check Square/Plumb of Opening. Anchor Jamb to Wall Using #6 x 1-5/8" Drywall Screws Through Round Holes Nearest Top and Bottom at Each Hinge and 12" O.C. Elsewhere. Attachment Should Roughly Align on Both Front Faces.

Step #7



Install Trim Starting With the Verticals. Install by Hooking Inside Legs on Receiver Tab and Lightly Tapping with Rubber Mallet Toward Outside Edge.

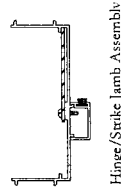
Step #8



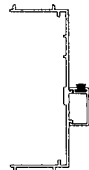
Attach to Framing with #12 x 1" Screws at Each Hinge Location.

Note:
45 Minute Rated Frame Require the Attachment of the Hinge Backup Plates to the Wall Framing

Parts List



Hinge/Strike Jamb Assembly



Header Assembly



4ea. C100ST Angle Plates



8ea. #8 x 1/2" TEK Screws



50ea. # 6 x 1-1/4" Drywall Screws

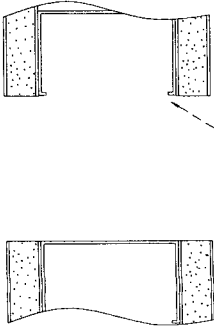


4ea. Vertical Jamb Trim and 2ea. Header Trim

Installation Instructions - Type 2 - Sidelight Door Frames

Step #1

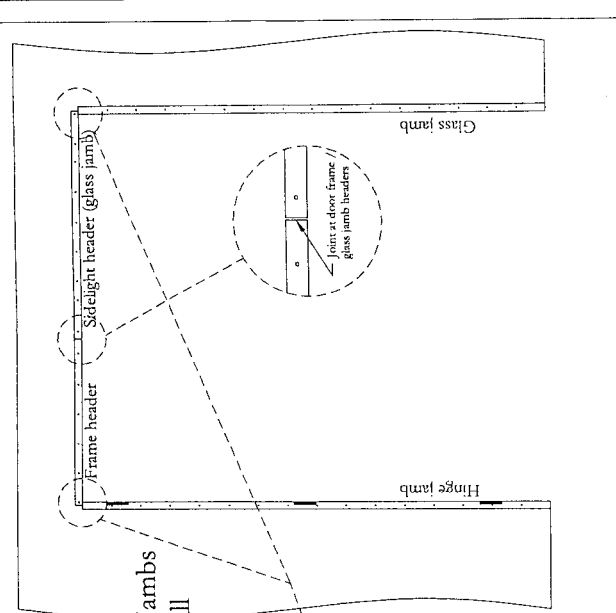
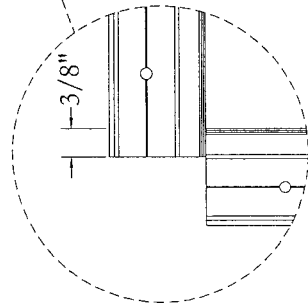
Check Dimensions and Square of Rough Opening.



Invert stud at sidelight side

Step #2

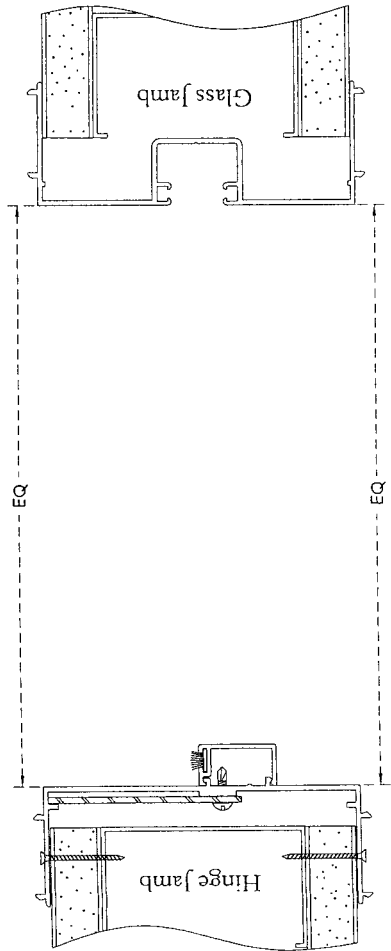
Slip Header and Vertical Jamb into Opening - Header will Overlap Jamb $3/8"$.



Step #3

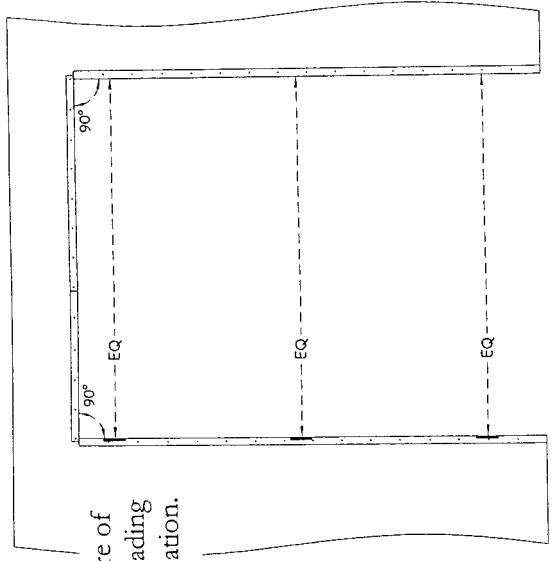
Align to Scheduled Opening Width and Height, Achieving Equal Wall Capture on Both Jamb Legs.

Do not attach glass jamb to wall until all horizontal glass members have been installed.

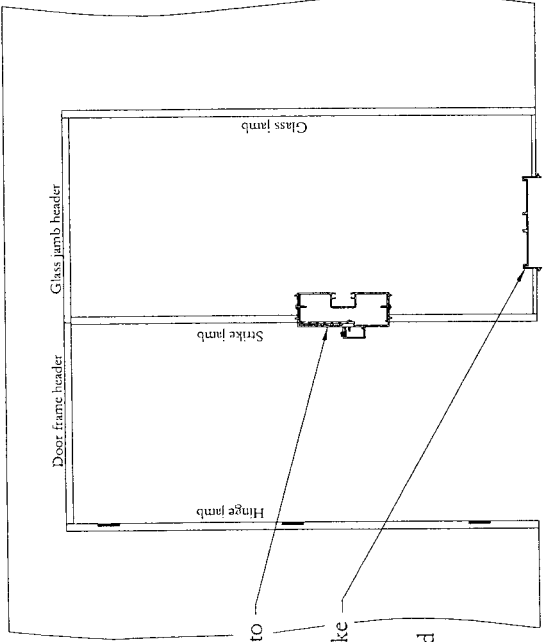


Step #4

Check Level of Header and Square of Jamb Legs. Measure Width at Leading Edge of jamb at Each Hinge Location.



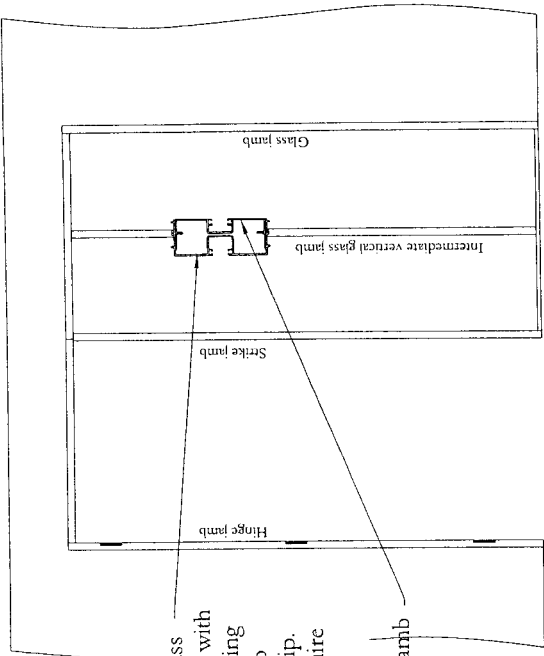
Step #5



Install snap-in glass pocket into strike jamb.

Install glass base between strike jamb and glass jamb. (see clipping diagram) Glass base typically sets on 3/4" plywood which is supplied by others.

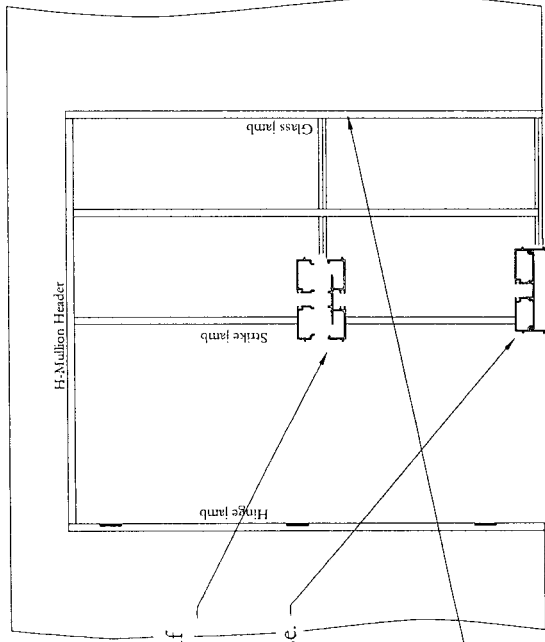
Step #6



Install intermediate vertical glass jamb and secure to Glass base with 4 each C406ST clips (see clipping diagram). Secure to Glass jamb header with T-clip or BOSS clip. (Installing with T clip will require field notching of trim)

Insert glass pocket into glass jamb and secure with screws.

Step #7

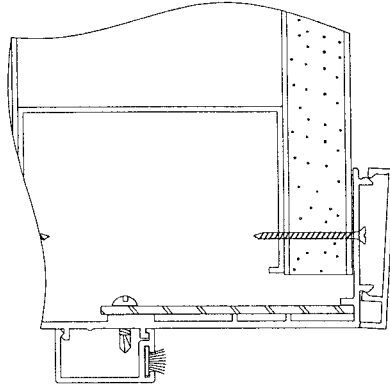


Install mid-height glass base (if required) with 4 each C406ST clips. (see clipping diagram)

Install glass stops on glass base.

Attach glass jamb to wall framing with drywall screws after the installation of all horizontal glass members.

Step #8

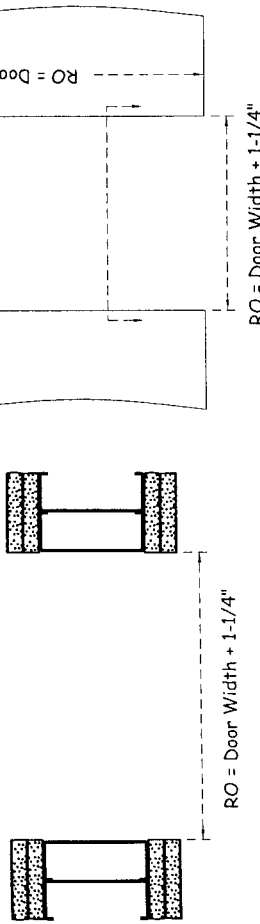


Install Trim Starting With the Verticals. Install by Hooking Inside Legs on Receiver Tab and Lightly Tapping with Rubber Mallet Toward Outside Edge.

Installation Instructions - 90 Minute Rated Aluminum Door Frames

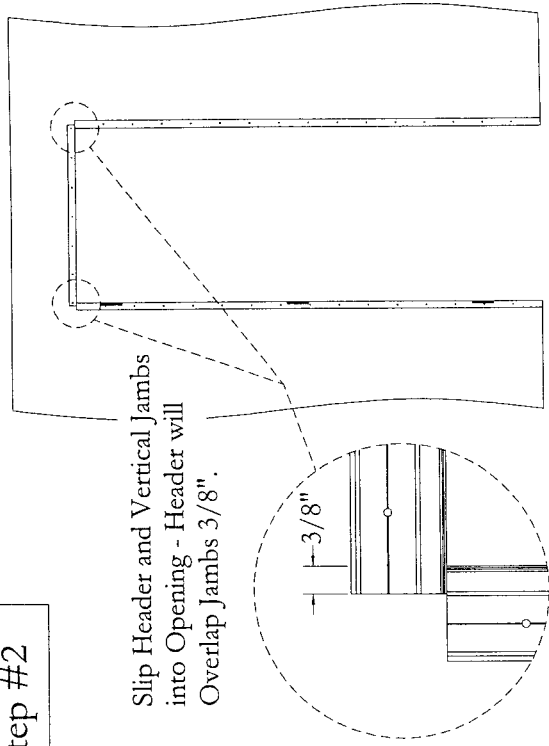
Step #1

Check Dimensions and Square of Rough Opening. Cut Vertical Jamb's if Necessary.



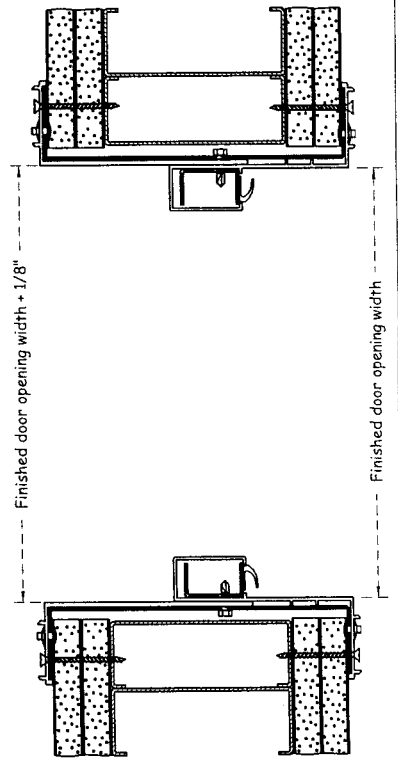
Step #2

Slip Header and Vertical Jamb's into Opening - Header will Overlap Jamb's 3/8".



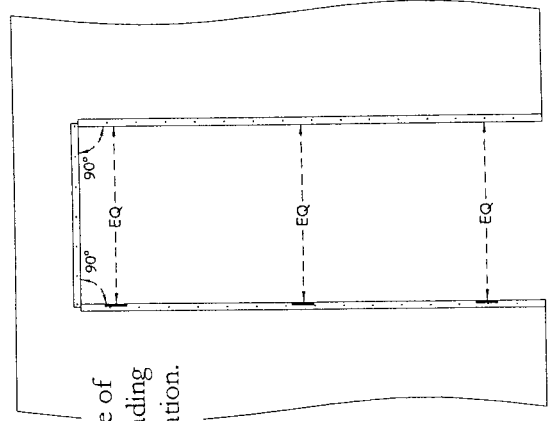
Step #3

Align to Scheduled Opening Width and Height, Achieving Equal Wall Capture on Both Jamb Legs. Make Sure Scheduled Opening Width is Maintained on Both Sides of Door Stop at Leading Edge of Frame.

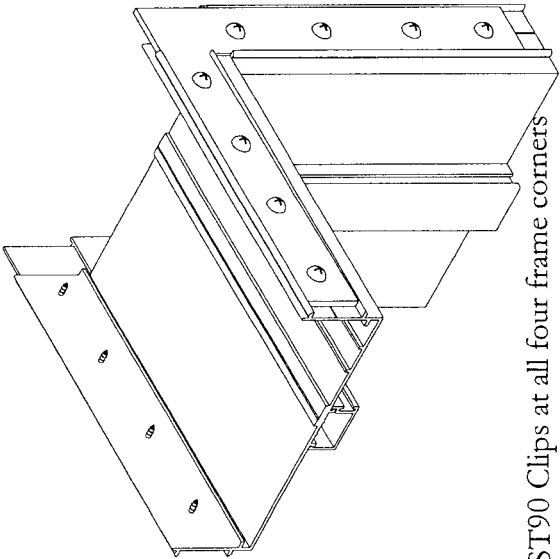


Step #4

Check Level of Header and Square of Jamb Legs. Measure Width at Leading Edge of Jamb at Each Hinge Location.



Step #5

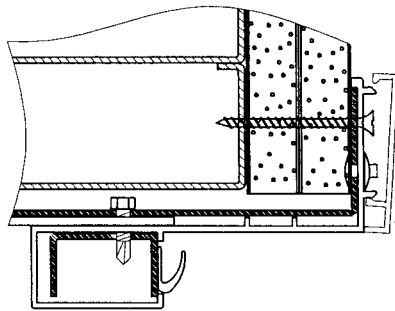


Attach the 4ea C100ST90 Clips at all four frame corners of Jamb and Header with 2-1/2" drywall screws per clip.

Step #6

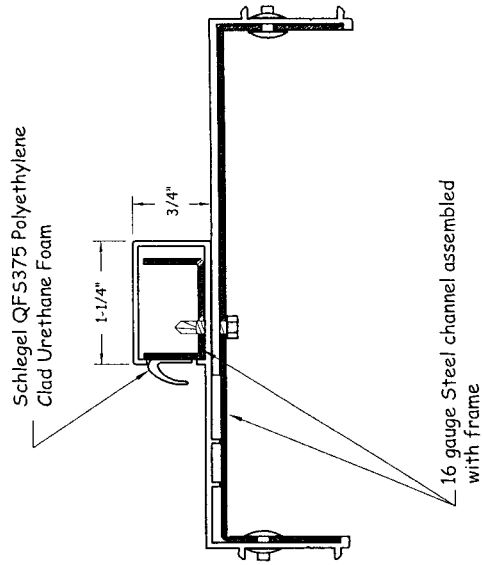
Check Square/Plumb of Opening. Anchor Jamb to Wall Using 2-1/2" Drywall Screws Through Round Holes Nearest Top and Bottom at Each Hinge and 12" O.C. Elsewhere. Attachment Should Roughly Align on Both Front Faces.

Step #7

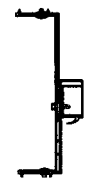


Install Trim Starting With the Verticals. Install by Hooking Inside Legs on Receiver Tab and Lightly Tapping with Rubber Mallet Toward Outside Edge.

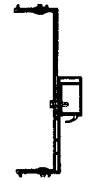
Frame Section Detail



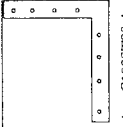
Parts List



Hinge/Strike Jamb Assembly



Hender Assembly



4ea. C100ST90 Angle Clips



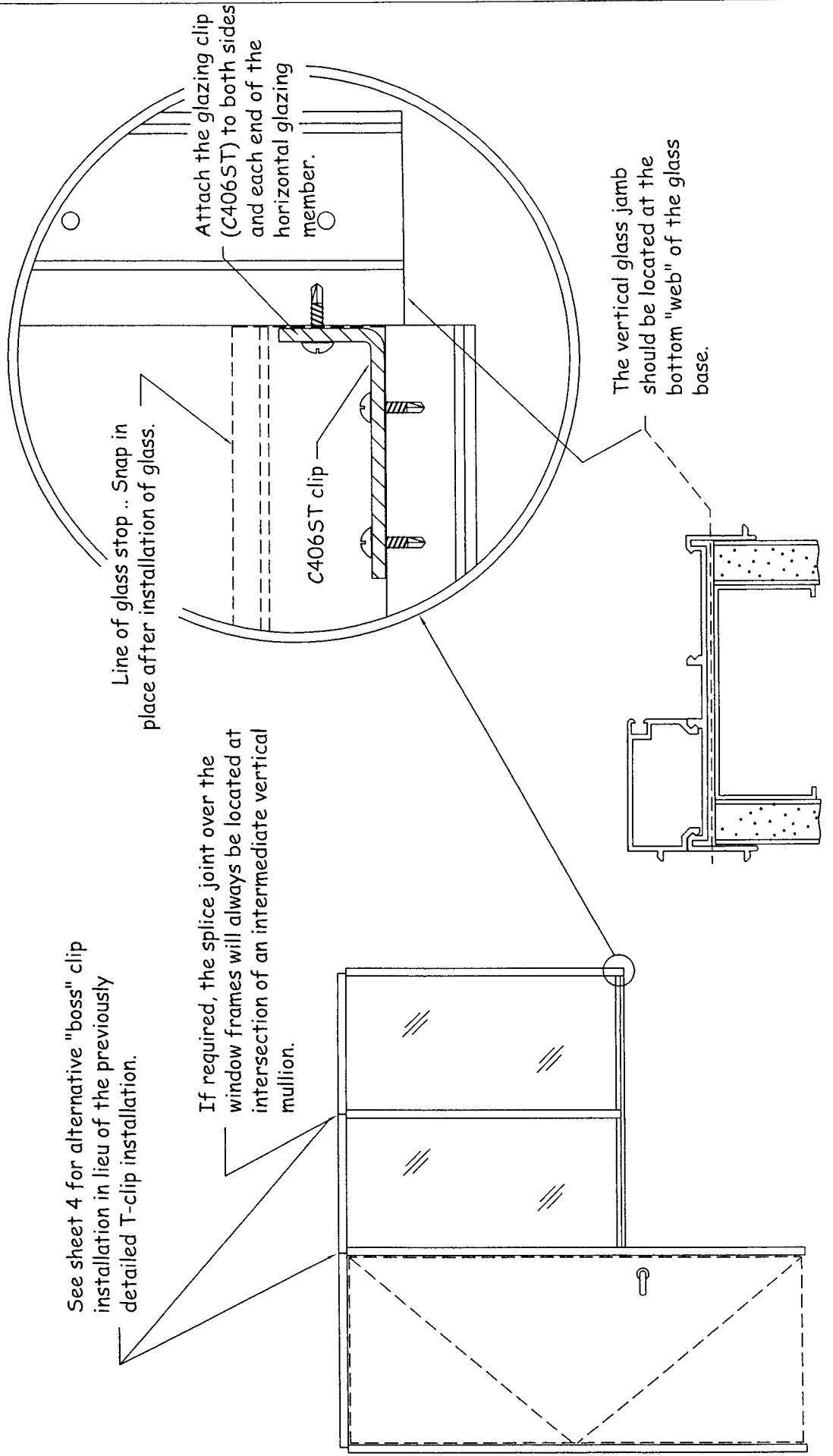
4ea. Vertical Jamb Trim and 2ea. Hender Trim

Frameworks Manufacturing, Inc.

Type 2 Clipping Diagrams

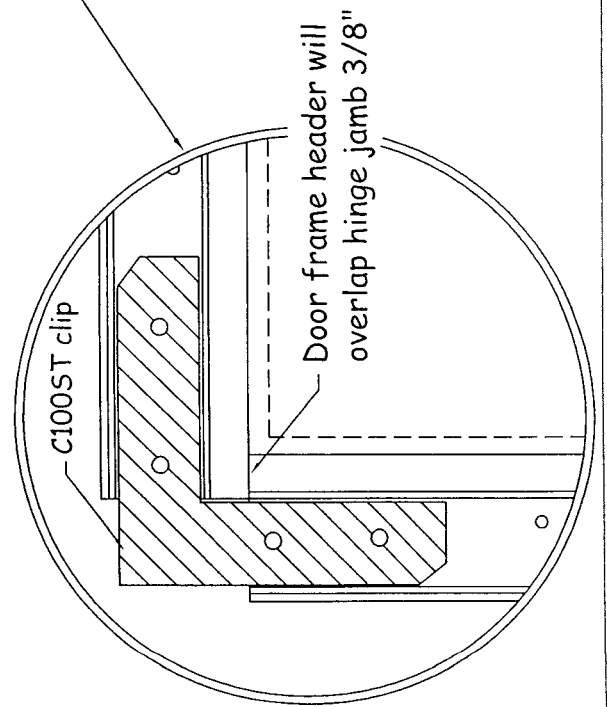
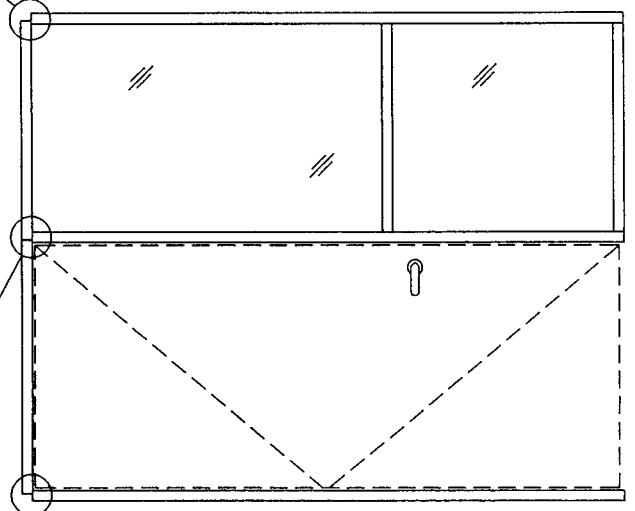
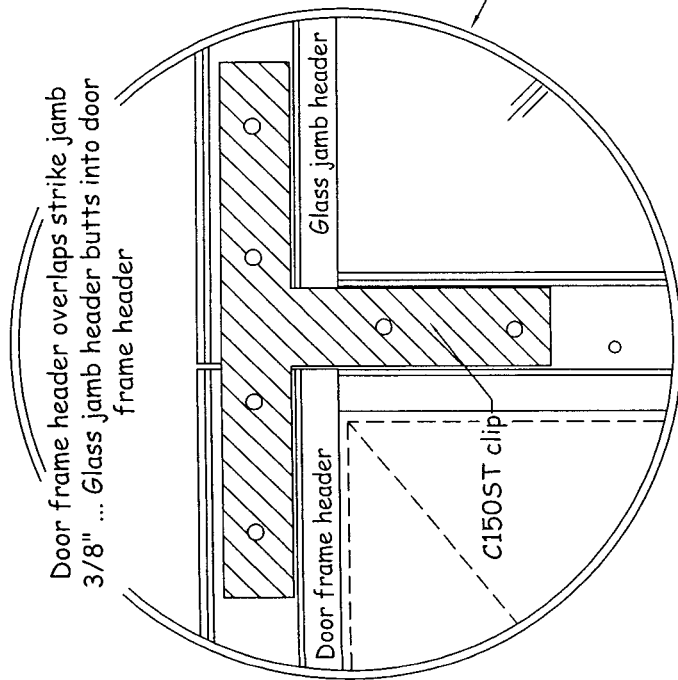
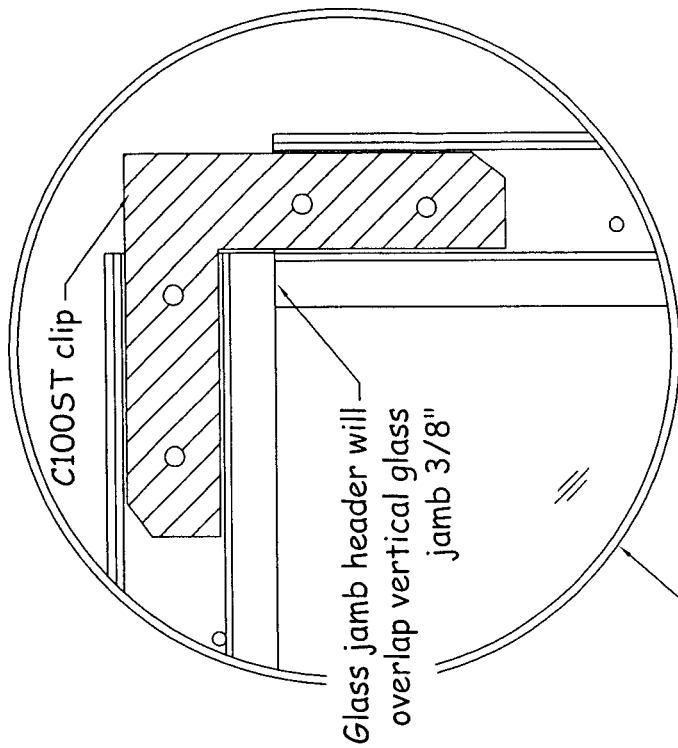
See sheet 4 for alternative "boss" clip installation in lieu of the previously detailed T-clip installation.

If required, the splice joint over the window frames will always be located at intersection of an intermediate vertical mullion.



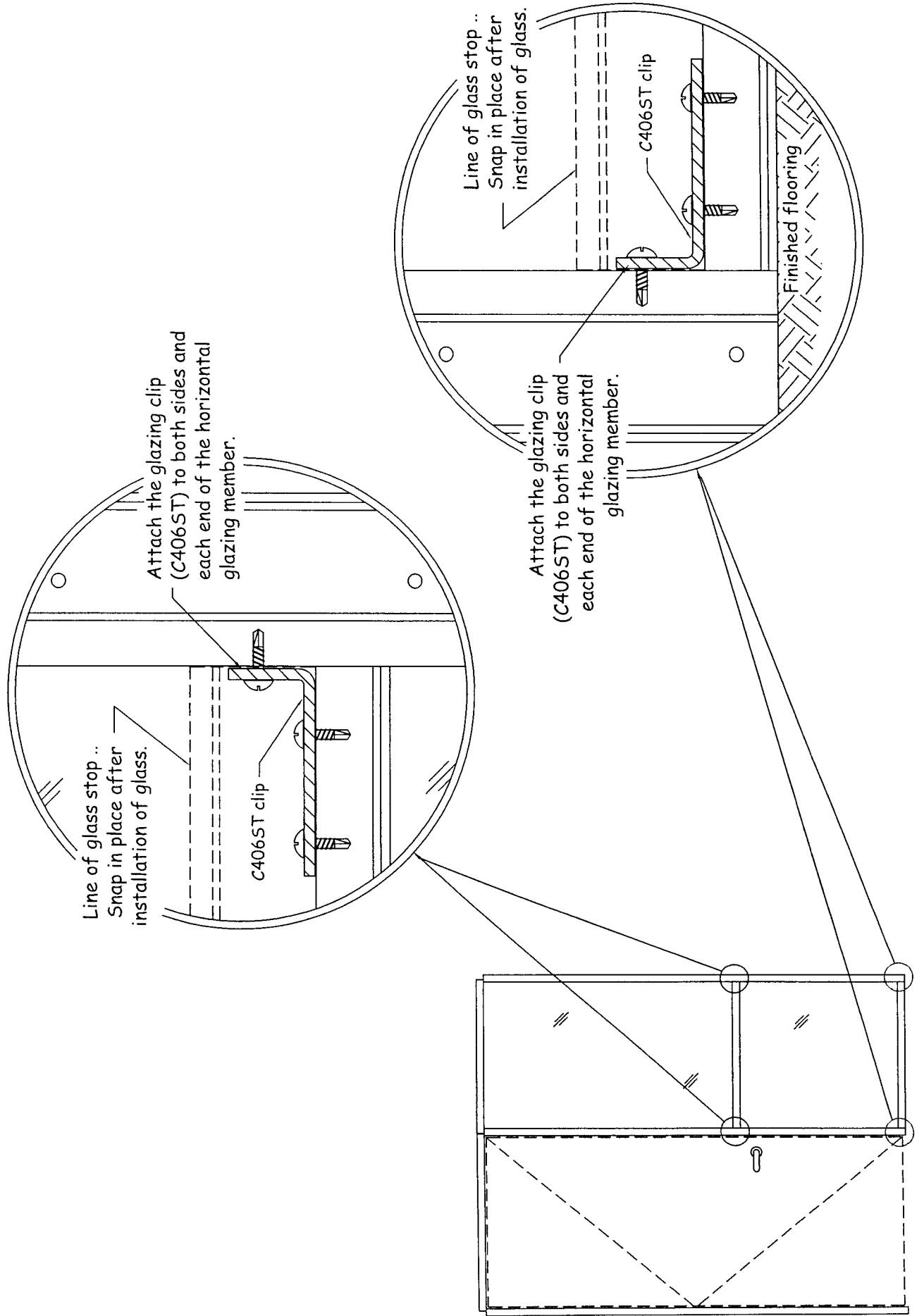
Frameworks Manufacturing, Inc.

Type 2 Clipping Diagrams



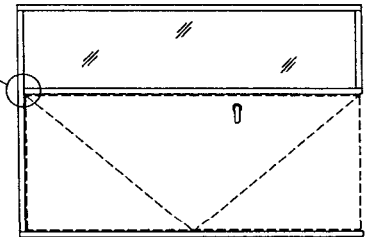
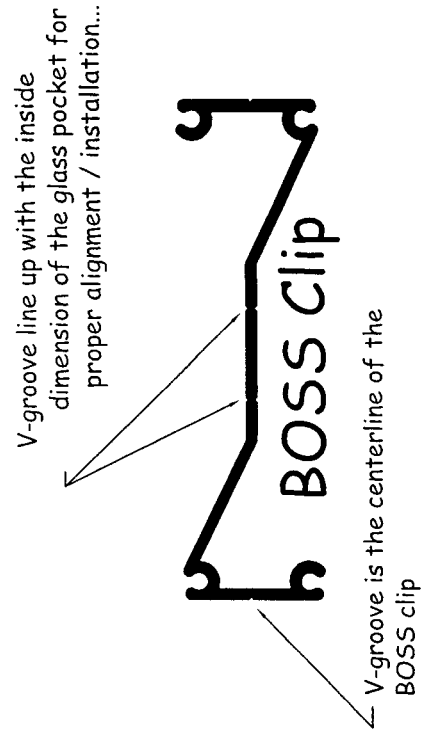
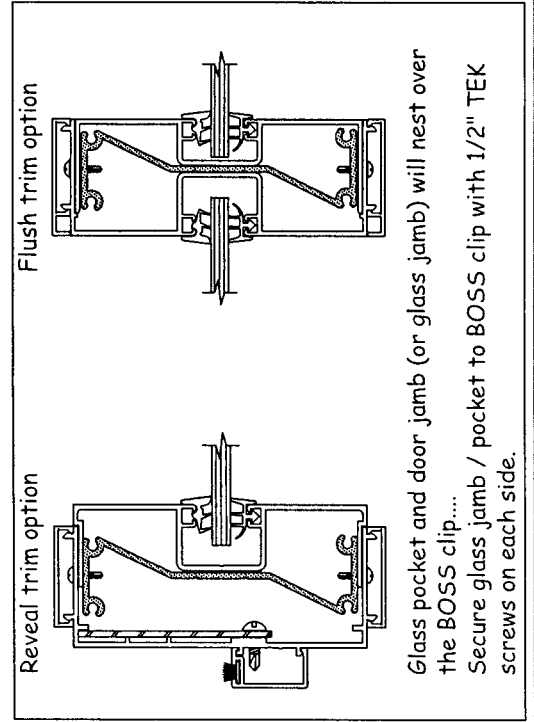
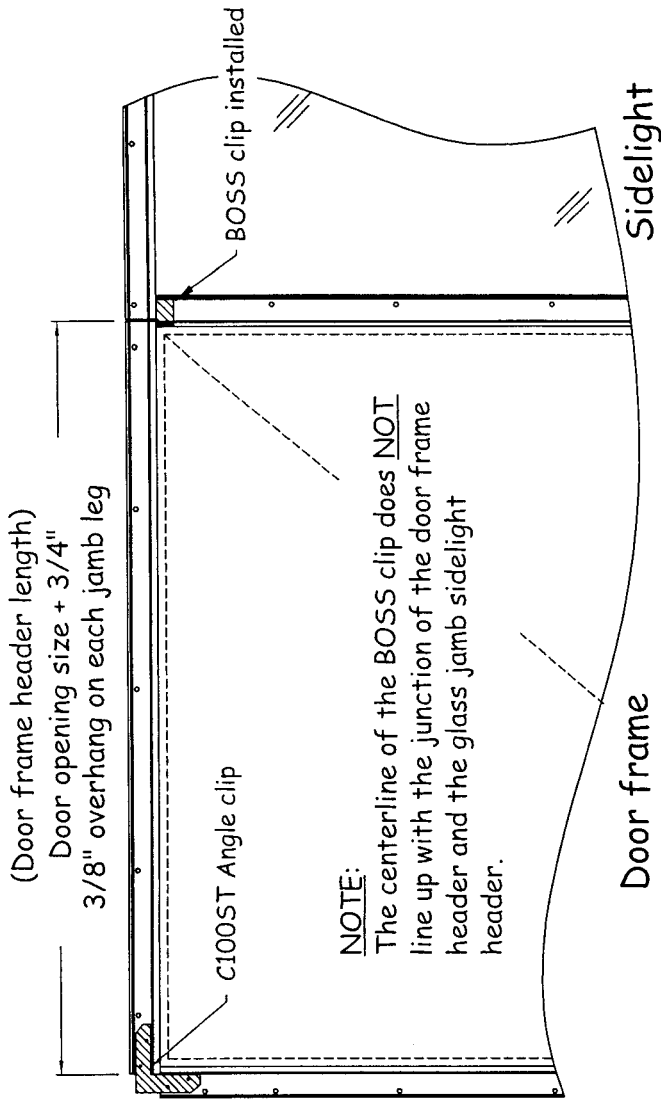
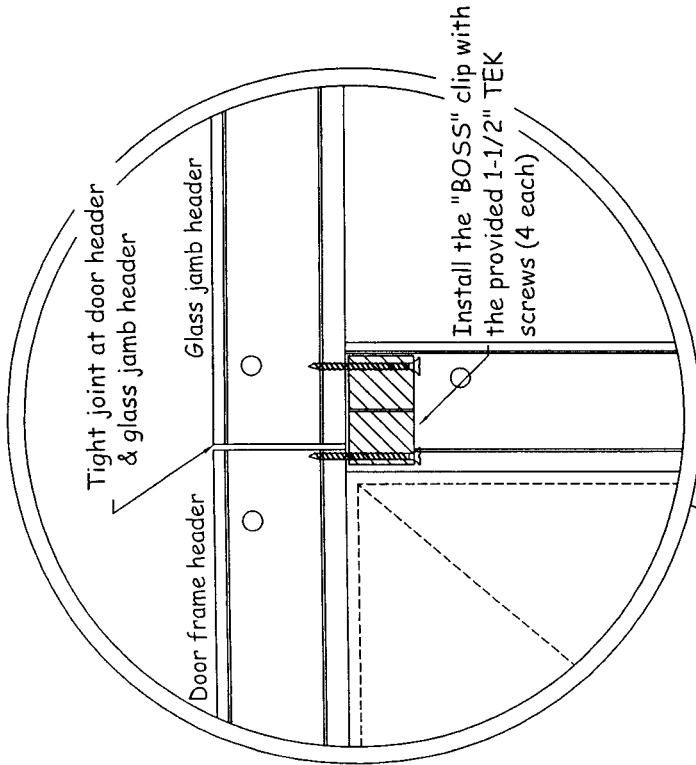
Frameworks Manufacturing, Inc.

Type 2 Clipping Diagrams

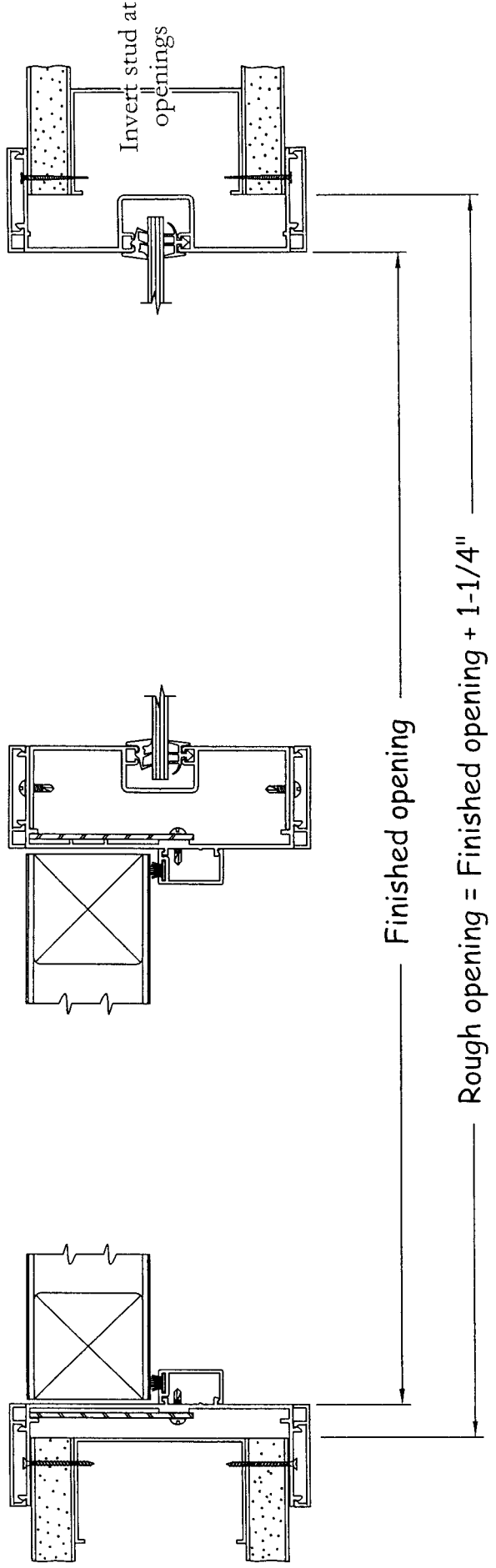
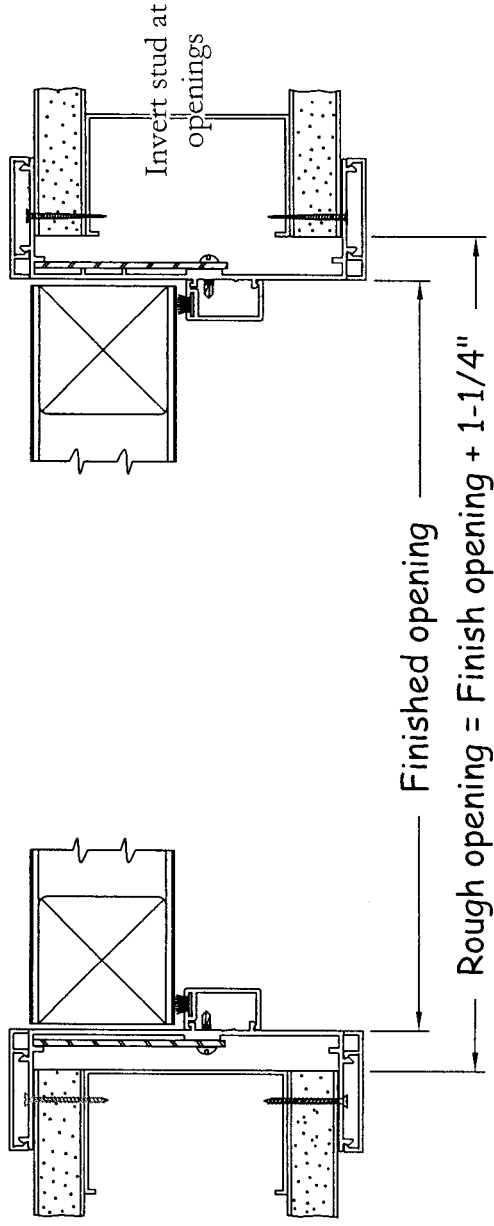


Frameworks Manufacturing, Inc.

Type 2 Clipping Diagrams

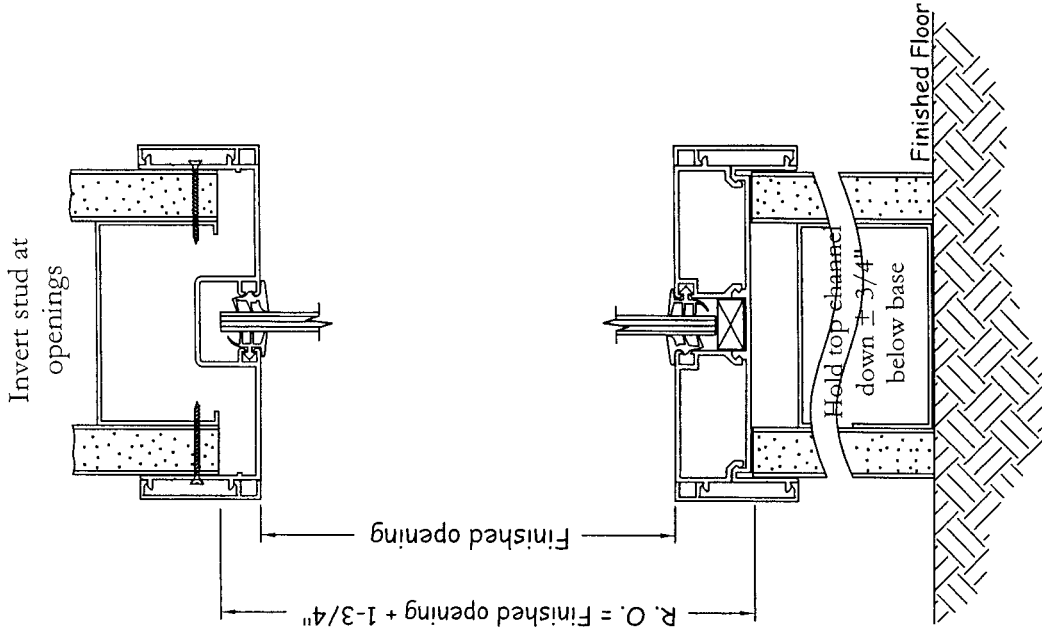
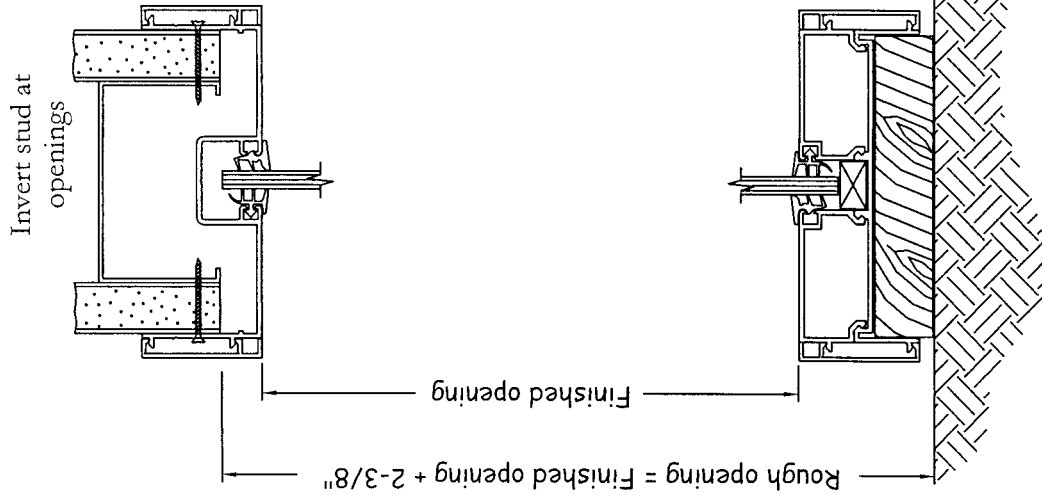
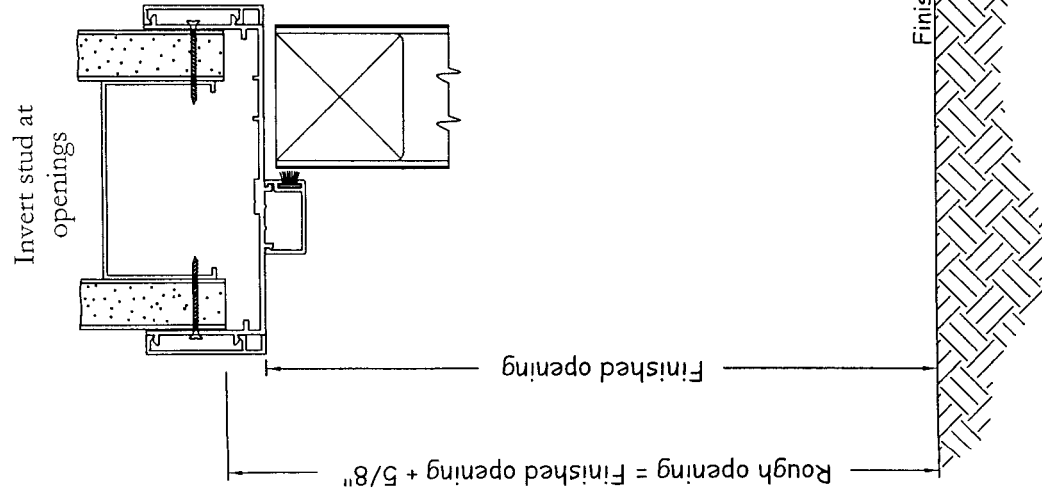


Frameworks Manufacturing, Inc.
Type 2 Rough Opening Requirements



Frameworks Manufacturing, Inc.

Type 2 Rough Opening Requirements

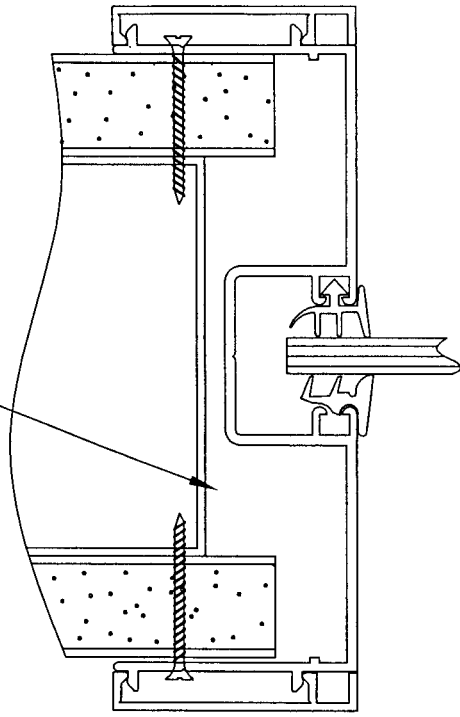


IMPORTANT: Provide this information to the drywall framing subcontractor.

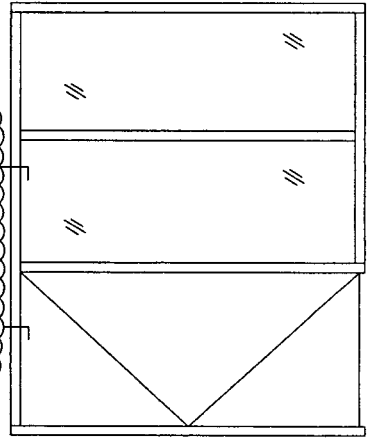
Hold track at header
1/2" above end of
drywall

1/2"
rough
opening

Track held up to allow
pocket to recess for
glass jamb to wrap wall

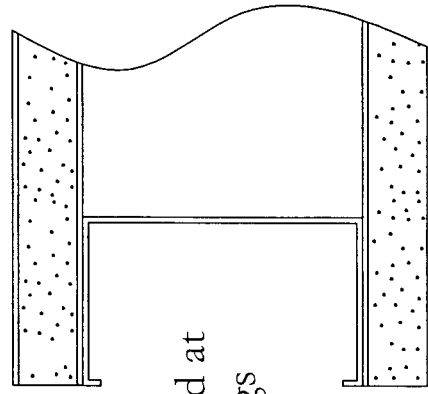


Reference framing detail above

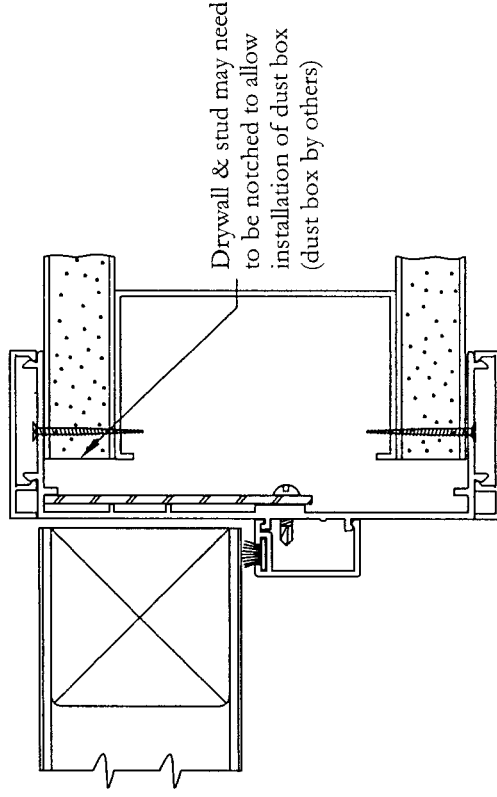


Frameworks Manufacturing, Inc.

**IMPORTANT: Provide this information to the
drywall framing subcontractor.**



Invert stud at
openings



Drywall & stud may need
to be notched to allow
installation of dust box
(dust box by others)

