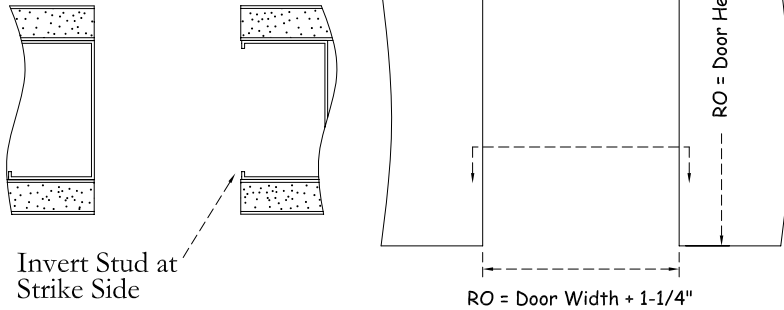


Installation Instructions - Type 2 - Aluminum Door Frames

Frameworks Manufacturing, Inc.

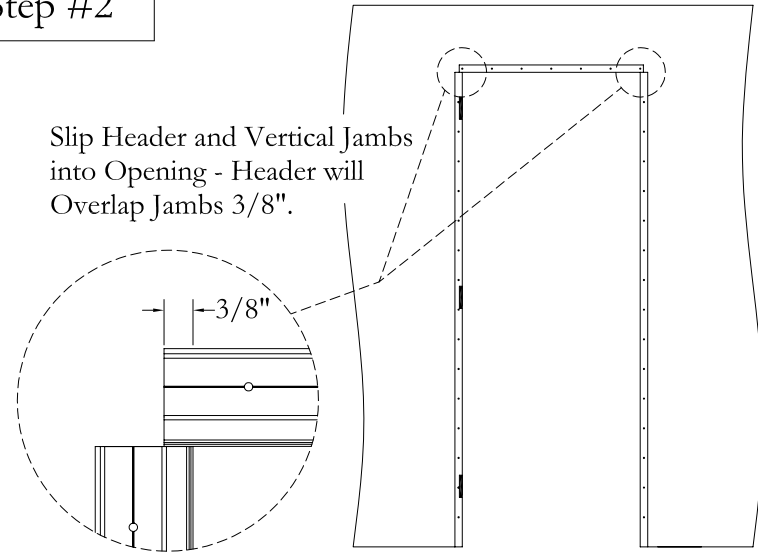
Step #1

Check Dimensions and Square of Rough Opening. Cut Vertical Jamb if Necessary.



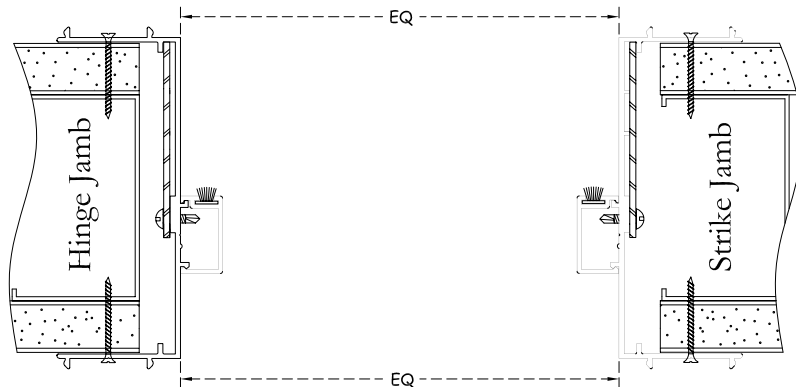
Step #2

Slip Header and Vertical Jamb into Opening - Header will Overlap Jamb 3/8".



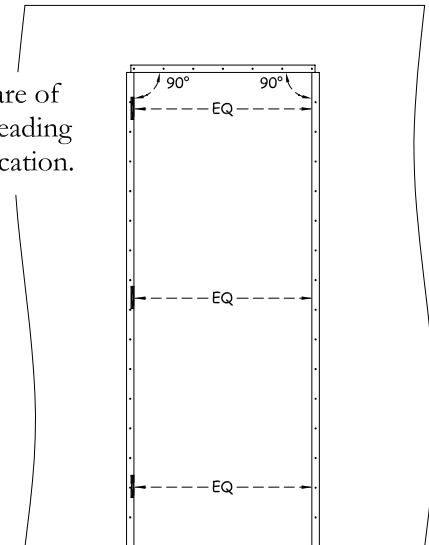
Step #3

Align to Scheduled Opening Width and Height, Achieving Equal Wall Capture on Both Jamb Legs. Make Sure Scheduled Opening Width is Maintained on Both Sides of Door Stop at Leading Edge of Frame.

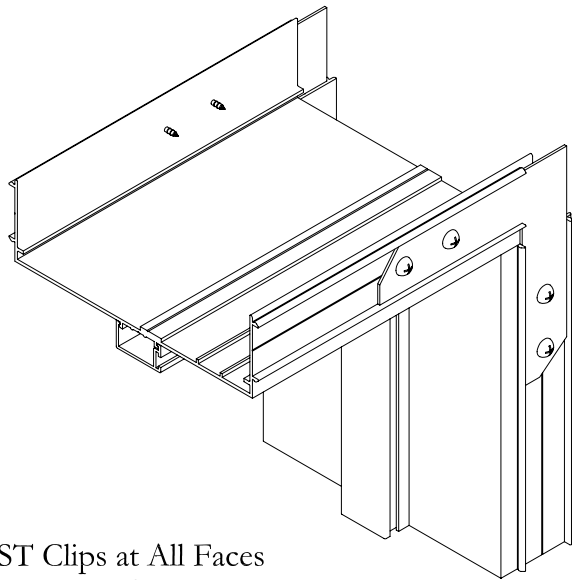


Step #4

Check Level of Header and Square of Jamb Legs. Measure Width at Leading Edge of Jamb at Each Hinge Location.



Step #5

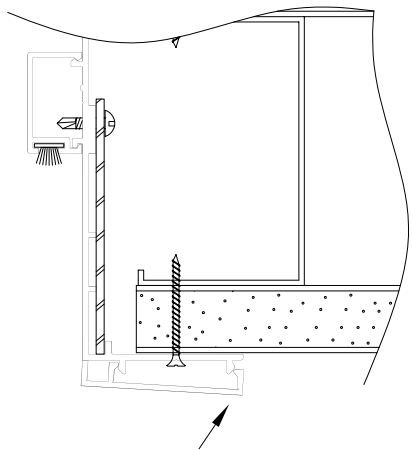


Attach the 4ea C100ST Clips at All Faces of Jamb and Header with 8-1/2" TEK Screws.

Step #6

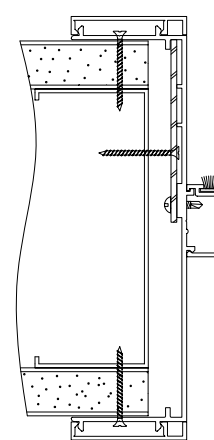
Check Square/Plumb of Opening. Anchor Jamb to Wall Using #6 x 1-5/8" Drywall Screws Through Round Holes Nearest Top and Bottom at Each Hinge and 12" O.C. Elsewhere. Attachment Should Roughly Align on Both Front Faces.

Step #7

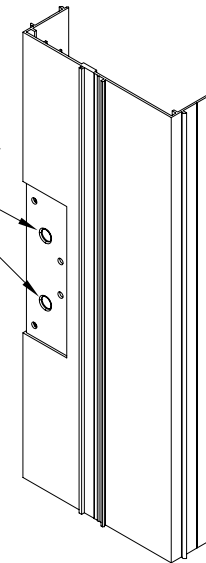


Install Trim Starting With the Verticals. Install by Hooking Inside Legs on Receiver Tab and Lightly Tapping with Rubber Mallet Toward Outside Edge.

Step #8

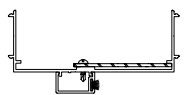


Attach to Framing with #12 x 1" Screws at Each Hinge Location.

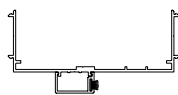


Note:
45 Minute Rated Frame Require the Attachment of the Hinge Backup Plates to the Wall Framing

Parts List



Hinge/Strike Jamb Assembly



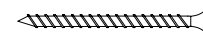
Header Assembly



4ea. C100ST Angle Plates



8ea. #8 x 1/2" TEK Screws



50ea. # 6 x 1-1/4" Drywall Screws



4ea. Vertical Jamb Trim and 2ea. Header Trim